

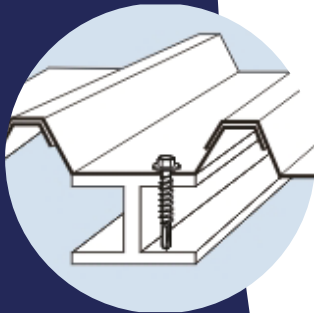
PSL Bi-metal Self Drilling Screws



APPLICATION

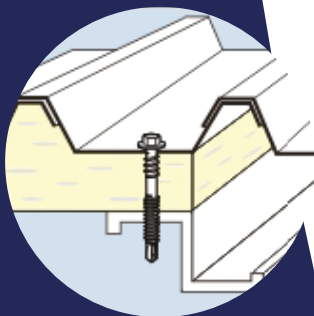
Hex head Bi-metal austenitic stainless steel grade 304 (also available in grade 316) self drilling screws with a hardened drill point are used to fasten sheet metal to steel purlins and rails.

High-thread (HT) screws are recommended for fixing on sandwich panels.



Thread dia : #12 (5.5mm)
#14 (6.3mm)

Thread type : Coarse("A"), fine("AB"),
machined("C") depending
upon drill capacity



Length : 1" - 9" (25mm - 225mm)

Drill Point	Drill Thickness	Recommended drive speed
#2	1.5 - 3.5mm	Max. 2500 RPM
#3	2.0- 5.0mm	Max. 2500 RPM
#5	6.0 - 12.5mm	Max. 1800 RPM

Washer : Stainless steel 16mm and 19mm bonded to EPDM.